

Tokyo Central Wholesale Market - Toyosu Fish Market -

豊洲市場 2018年

JNTO-TIC, Oct.2018



Visitor's Area

Block 5 【Fruit and Vegetables Building】

Restaurants and shops – 1F

Block 6 【Fisheries Intermediate Wholesale Market Building】

Restaurants – 3F, Shops – 4F, Green Roof Plaza – 6F

Block 7 【Fisheries Wholesale Market Building】

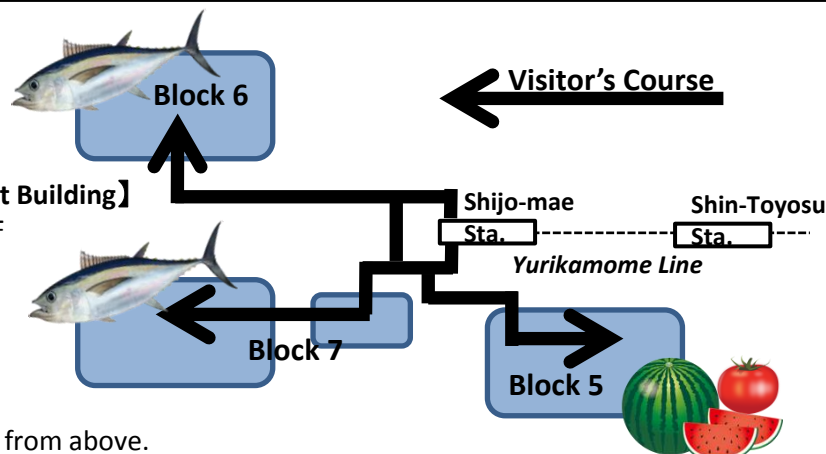
Restaurants – 3F (Management Facilities Building)

★Each building has the observation windows, and visitors can view the wholesale or auction area from above.

Visitor's entry : 5:00 – 17:00 (Business hours vary by restaurant and shop.)

For more details about the visitor's course, please refer to

<http://www.shijou.metro.tokyo.jp/toyosu/pdf/kenngaku/hajimaru-english.pdf>



Tuna Auction

Some windows on the second floor in Fisheries Wholesale Market Building allow visitors to view the tuna auction. The building also contains "Tuna Auction Observation Deck", where visitors can get close to the auction site.

★**Tuna Auction Observation Deck will open on January 15th, 2019, and the details are still to be arranged.**

Business Calendar

Closed on

- * Sunday (except Dec. 30)
- * National holidays (except Dec. 24)
- * Following days in 2018

January	February	March	April
-	-	-	-
May	June	July	August
-	-	-	-
September	October	November	December
-	17, 24	7, 14	5, 12, 31

Contact & Access

Address : 6-chome, Toyosu, Koto-ku, Tokyo (江東区豊洲6丁目)

Tel : 03-5320-5720 (Only Japanese is spoken)

URL : <http://www.shijou.metro.tokyo.jp/english/>

Access :

- 1 min. walk from Shijo-mae Sta. on Yurikamome Line
- about 20 min. walk from Toyosu Sta. on Tokyo Metro Yurakucho Line
- about 30-40 min. by Toei Bus (市01) from Shimbashi Sta. (Ginza Exit) to Shijo-mae Sta.
- about 20-30 min. by Toei Bus (都05-2) from Tokyo Sta. (Marunouchi South Exit) to Shin-Toyosu Sta.

Note) There are no car and bicycle parking lots for visitors in the market.